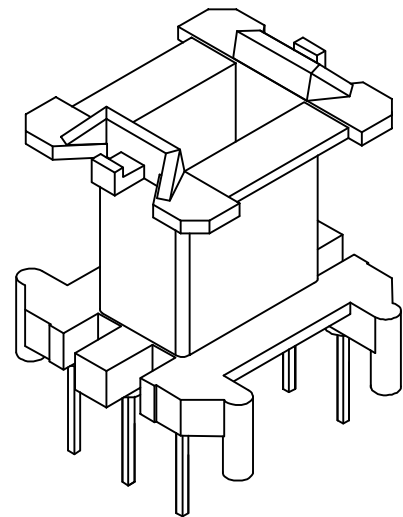
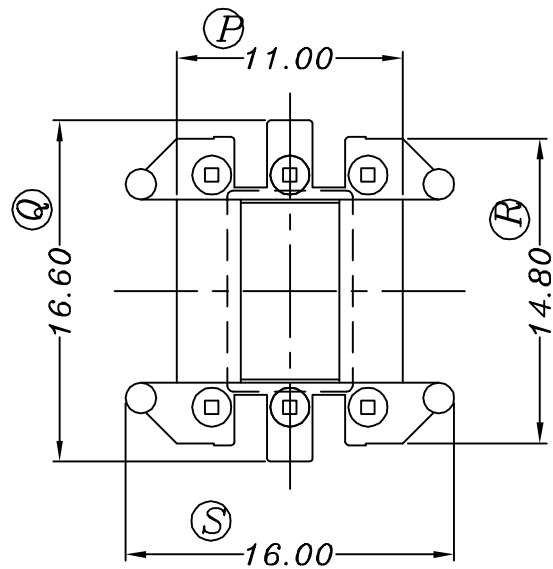
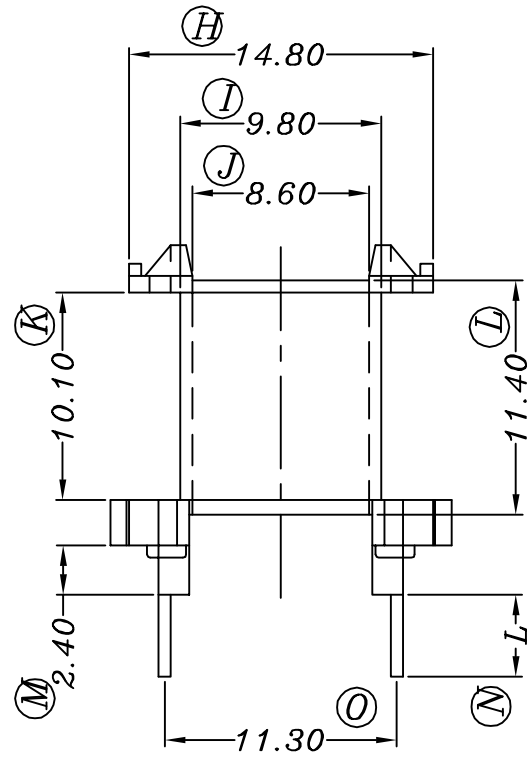
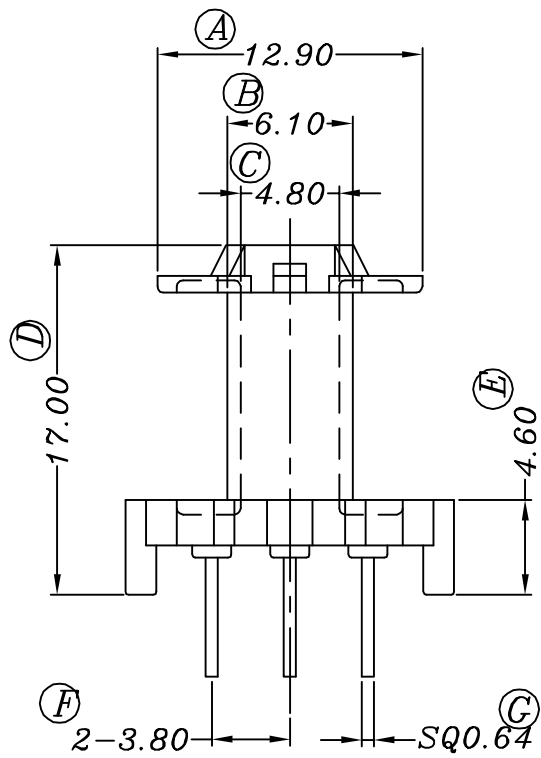


FWB1628



REV	REVISION RECORD	DATE	REV	REVISION RECORD	DATE
A			C		
B			D		

NAME	EF16 3+3P	MATERIAL	PA66	SCALE		ANGLE	$\pm 1^\circ$
DRAWING NO.	FWB1628	PIN MATERIAL	CP WIRE	UNIT	m/m	REV	A
TOLERANCE OF PIN PITCH ± 0.20				HAINING FERRIWO ELECTRONICS CO.,LTD. TEL: +86-573-87088701 FAX: +86-573-87081130 Web: www.ferriwo.com Email: sales@ferriwo.com			
PIN TENSION LOAD kg MN		UL REC: 94V-0					
TOLERANCE: $0 < L \leq 4: \pm 0.2$ $4 < L \leq 16: \pm 0.3$ $16 < L \leq 63: \pm 0.4$							